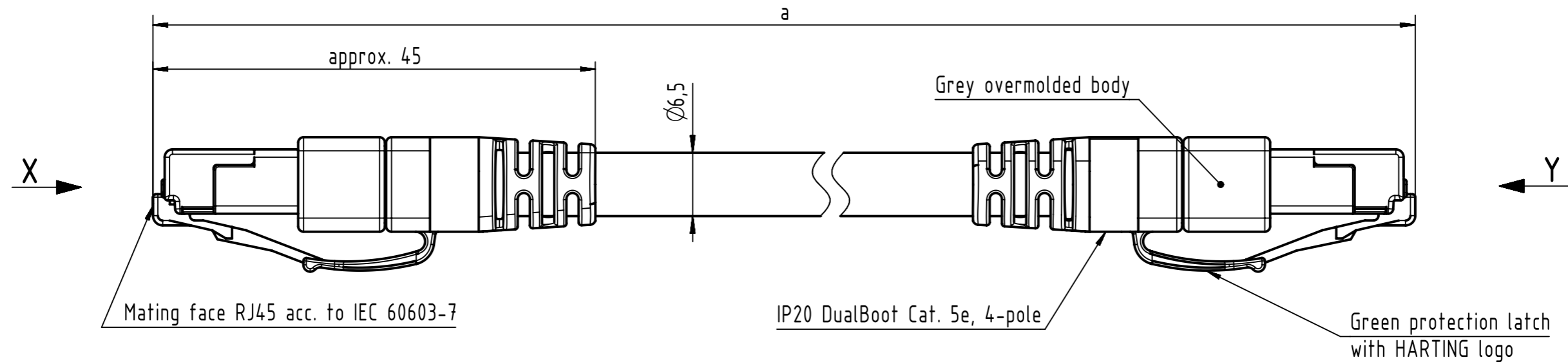


Connector Location A

Connector Location B



Mating face RJ45 acc. to IEC 60603-7

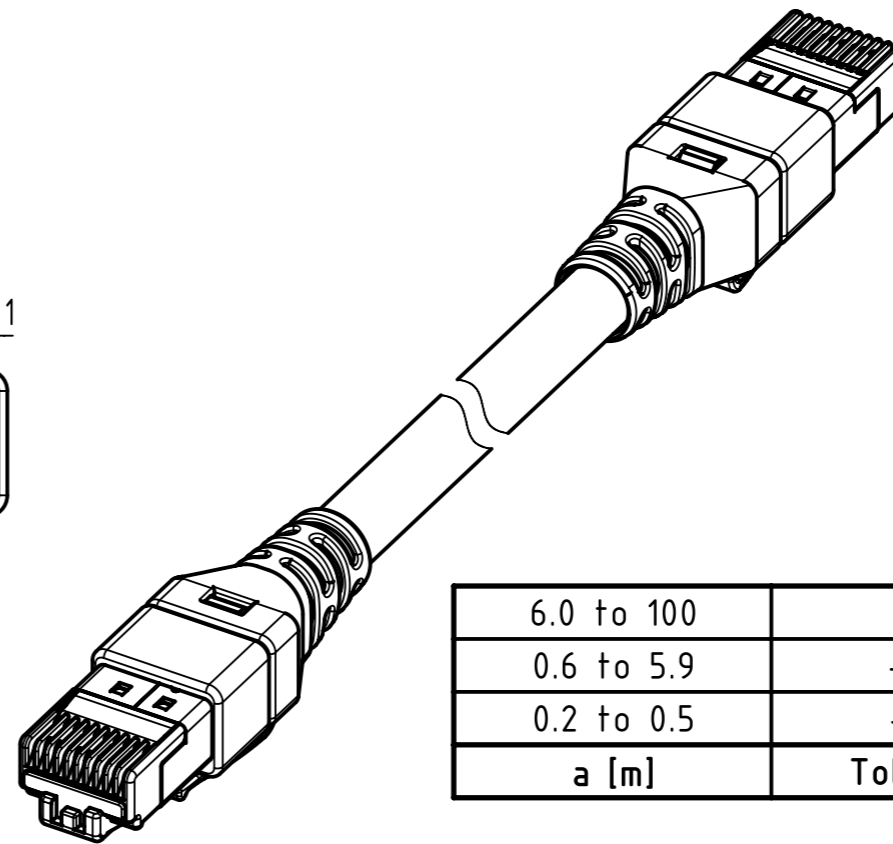
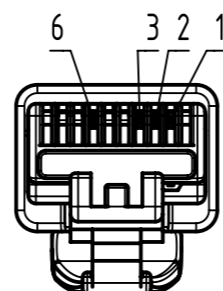
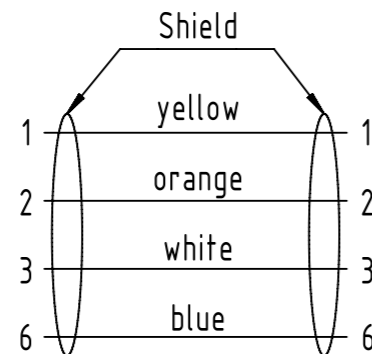
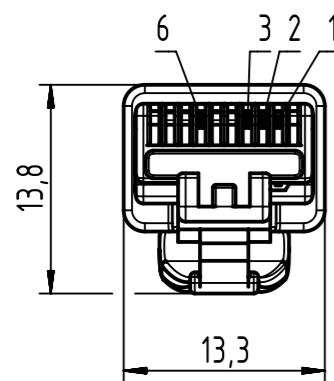
IP20 DualBoot Cat. 5e, 4-pole

Green protection latch with HARTING logo

X male

Loading Plan

Y male



6.0 to 100	±1%
0.6 to 5.9	+0.04
0.2 to 0.5	+0.02
a [m]	Tolerance

length in "1m" step	100	XXX=000
	99	XXX=990
	.	.
	12	XXX=120
length in "0.1m" step	11	XXX=110
	10	XXX=100
	9.9	XXX=099
	9.8	XXX=098
	.	.
Step	0.5	XXX=005
	0.4	XXX=004
	0.3	XXX=003
	0.2	XXX=002
Step	a [m]	XXX

NOTE:
 For lengths < 1.0m:
 - relative positioning of the connectors to each other shall be as presented in the drawing, however with an admissible angular deviation around cable axis of ± 30°
 For lengths ≥ 1.0m:
 -relative positioning of the connectors to each other not obligatory

- Temperature range: -25°C ... +60°C

RJ45 Ethernet Stranded Cable, 4xAWG 22/7, PVC, Cat. 5+, green	09486868001XXX
Type of cable	Part no.

All rights reserved Department HCS - RO HARTING Customised Solutions D-32339 Espelkamp	All Dimensions in mm Tech. Character. Free size tol. According to production drawing	Created by STOCECIC Stoceci	Inspected by COSTEA Costea	Standardisation MUNTEANV Muntean	Date 2019-07-30	State Final Release	Doc-Key / ECM-Nr. 100544207/UGD/044/F 500000155865
	Title RJ45 PROFINET cable PVC 4p; Cat. 5	Type TB	Number 09486868001XXX	Rev. F	Page 1/1		